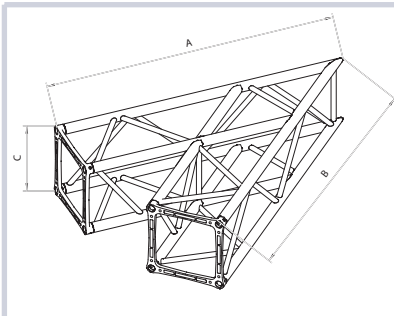


Description	Specification
External dimensions (height x width)	400 mm x 400 mm
Distance between axis	350 mm x 350 mm
Lenghtways tubes	Extruded aluminium EN AW 6082 T6 - Ø50x3 mm
Crossways tubes	Extruded aluminium EN AW 6082 T6 - Ø30x3 mm
Connecting plate	Cast aluminium EN AC 42200 T6
Welding process	TIG-141 / ISO 4063
Available lenght (cm)	10 - 25 - 50 - 100 - 150 - 200 - 250 - 300 - 350 - 400
Connection systems	QXFC- QXSM10

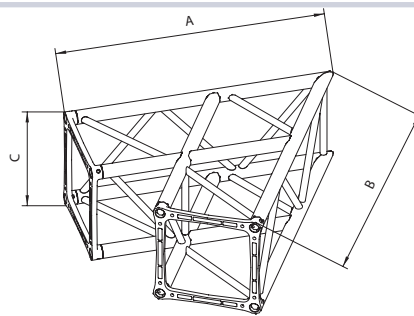
Section Area (mm <sup>2</sup> )	Moment of inertia Y - axis (mm <sup>4</sup> )	Moment of inertia Z - axis (mm <sup>4</sup> )	Selfweight (approx.) (N/m)		
1772	46.409.600	12.500.000	90		

Span [m]	Centre Point Load (C.P.L.)			Third Point Load (T.P.L.)			Quarter Point Load (Q.P.L.)			Fifth Point Load (F.P.L.)			Uniformly Distributed Load (U.D.L.)		
	Point Load [kg]	Full Load [kg]	Central Deflection [mm]	Point Load [kg]	Full Load [kg]	Central Deflection [mm]	Point Load [kg]	Full Load [kg]	Central Deflection [mm]	Point Load [kg]	Full Load [kg]	Central Deflection [mm]	Load [kg/m]	Full Load [kg]	Central Deflection [mm]
1	3180	3180	0,2	1760	3530	0,2	1240	3730	0,2	965	3860	0,2	4470	4470	0,2
2	2410	2410	1,1	1440	2870	1	1050	3160	1,1	844	3380	1	2230	4460	1
3	1930	1930	3	1200	2400	3	911	2730	3	741	2960	3	1380	4150	3
4	1540	1540	5	1030	2060	6	772	2320	7	643	2570	7	772	3090	7
5	1220	1220	9	896	1790	11	611	1830	10	509	2040	11	489	2440	11
6	1010	1010	12	754	1510	16	503	1510	15	419	1680	16	335	2010	15
7	848	848	17	636	1270	21	424	1270	20	353	1410	21	242	1700	21
8	728	728	22	546	1090	28	364	1090	26	303	1210	28	182	1460	27
9	634	634	28	475	951	35	317	951	33	264	1060	35	141	1270	35
10	557	557	35	417	835	44	278	835	41	232	928	43	111	1110	43
11	492	492	43	369	738	53	246	738	49	205	820	52	89	980	52
12	437	437	51	328	656	63	219	656	59	182	729	62	73	874	62
13	390	390	61	292	584	74	195	584	69	162	649	73	60	779	72
14	348	348	71	261	522	85	174	522	81	145	580	84	50	695	84
15	310	310	82	233	466	98	155	466	93	129	517	97	41	621	96
16	277	277	94	208	416	111	139	416	106	115	462	110	35	554	109
17	247	247	107	185	370	125	123	370	119	103	411	124	29	493	124
18	219	219	121	164	328	140	109	328	134	91	365	139	24	438	139

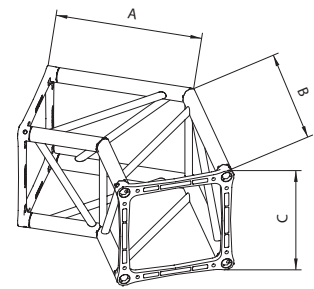
Load table has been prepared in accordance with UNI ENV 1999-1-1 (Eurocode 9).  
 When calculating the allowable loads shown in the table, it is assumed that the trusses are simply supported at the end connection and that static loads will be applied to the node points.  
 The application of the load shall be on the centre line of the truss.  
 The values shown in the table are the allowable static loads that can be applied to the truss. This is the live load or the payload.  
 The self weight of the truss has been taken into account when calculating the values in the table.  
 It should be noted that this are idealised loading conditions and the User shall re-analyze the truss for the loading conditions which prevail for the application being considered.



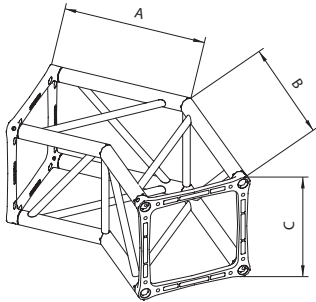
QD40SL2045



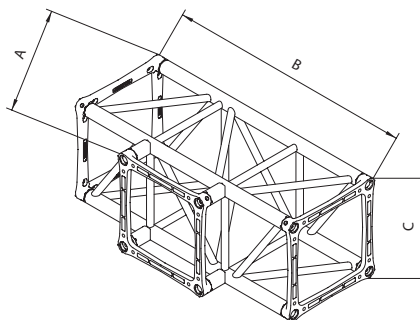
QD40SL2060



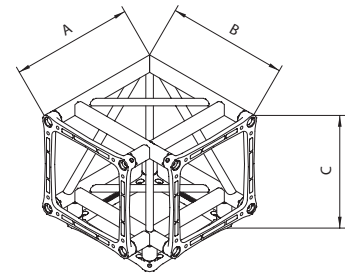
QD40SL2120



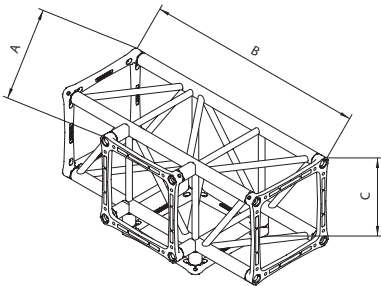
QD40SL2135



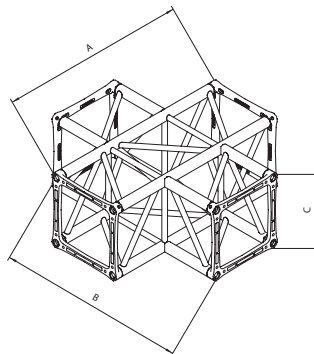
QD40ST3



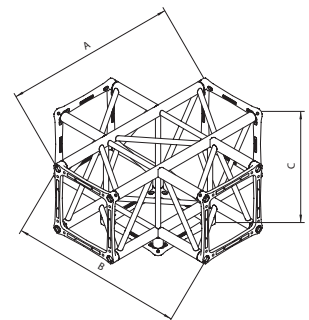
QD40SL3



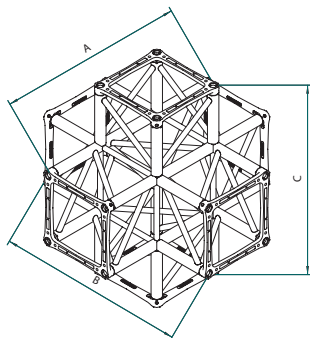
QD40ST4



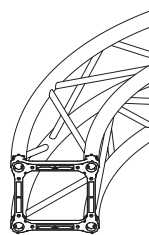
QD40SX4



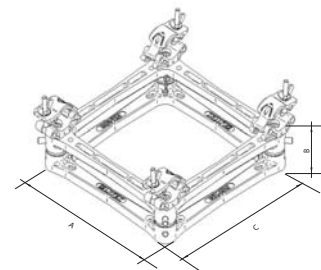
QD40SX5



QD40SX6



Q = Square truss



QD40SACSC

## TRUSS

Code	Dimensions (cm)	Weight (Kg)
QD40S010	40x40x10	4.50
QD40S025	40x40x25	6.10
QD40S050	40x40x50	7.50
QD40S100	40x40x100	11.30
QD40S150	40x40x150	14.80
QD40S200	40x40x200	19.10
QD40S250	40x40x250	22.60
QD40S300	40x40x300	26.20
QD40S350	40x40x350	30.30
QD40S400	40x40x400	34.70

## CORNERS

Code	Dimensions (cm)	Weight (Kg)
QD40SL2045	100x100x40	15.10
QD40SL2060	100x100x40	16.60
QD40SL2090	50x50x40	10.50
QD40SL2120	50x50x40	11.10
QD40SL2135	50x50x40	11.30
QD40SL3	50x50x50	13.70
QD40ST3	100x50x40	16.40
QD40ST4	100x50x50	19.60
QD40SX4	100x100x40	21.30
QD40SX5	100x100x50	24.30
QD40SX6	100x100x100	29.40
QD40SACSC	40x14.4x40	6.30

## RINGS

Curves, rings and ellipses are available on demand

Minimum diameter 2 m

Diameter measurement external

Weight per meter (aprox.) 9 Kg